

1.8 - 54 MHz

HPA-8000B-54

1 kW Linear Amplifier

**FCC approved**

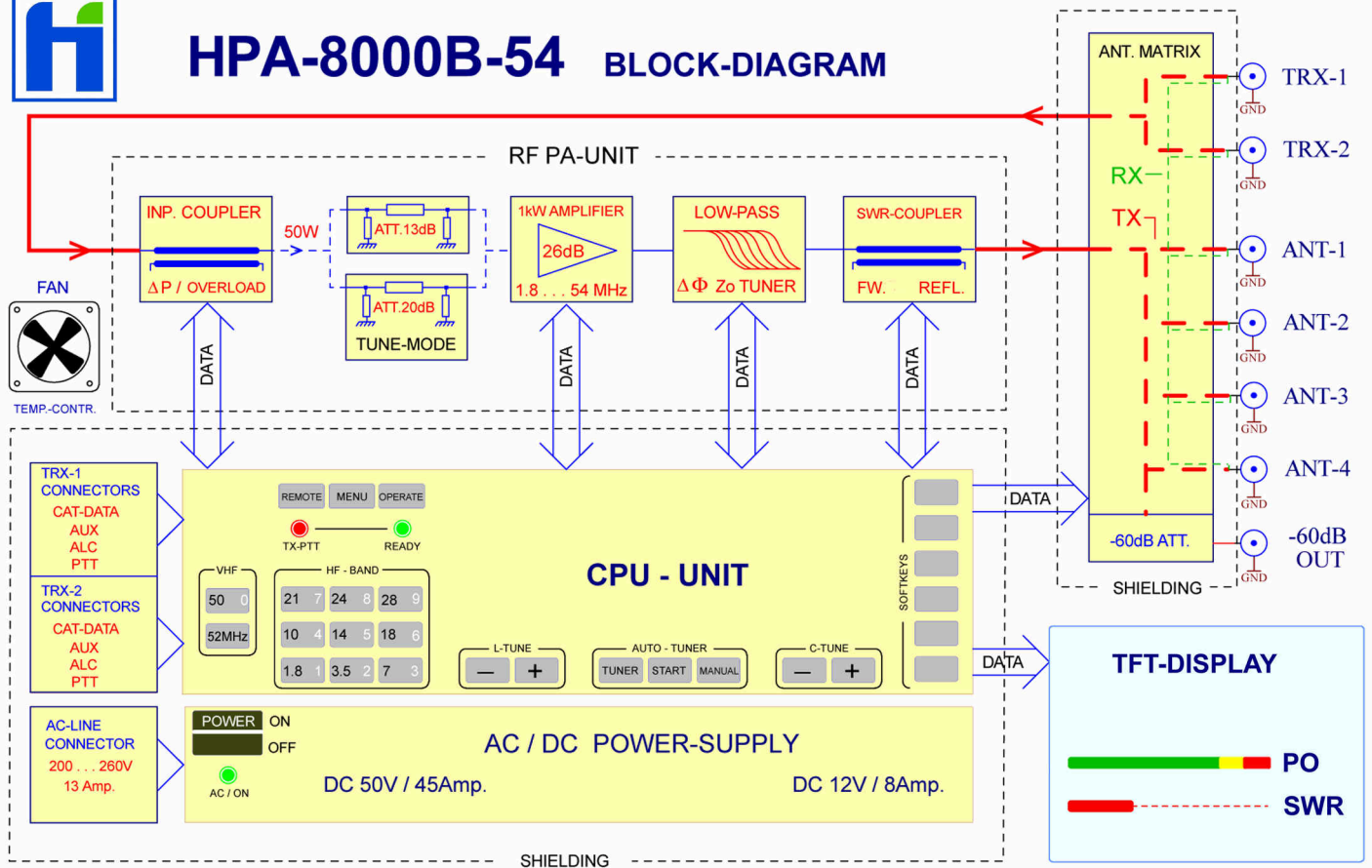
Technical Data

- LDMOSFET Amplifier 1 kW RF Output (FM / AM / SSB / CW)
- All Ham Radio Bands 160m – 6m (1.8 – 54 MHz)
- Input Power typ. 50W / 1 kW RF Out
- 4 Antenna Connectors / 2 Transceiver Inputs
- PA Output -60dBc ATT. (Predistortion / Control Loop Feedback Channel)
- Fully Automatic Antenna Tuner 1.8 – 30 MHz (max. SWR 3:1)
- Fully Automatic Control: Transceiver / CAT Interface (Band Switching)
- USB / RS232 Interface for Programming / Remote Control
- Manual Control: Band Buttons, PTT / ALC Input (RCA Sockets)
- Protective Circuit: Overcurrent, SWR, Temperature, Input / Output Power
- Internal Power Supply 200 – 260 V AC
- Weight: 19.8 kg (44 lbs)

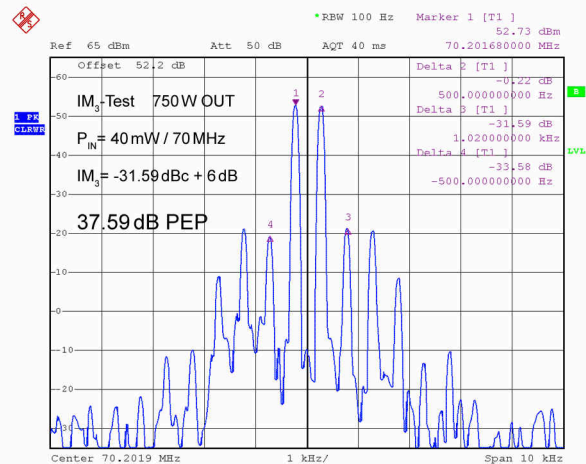
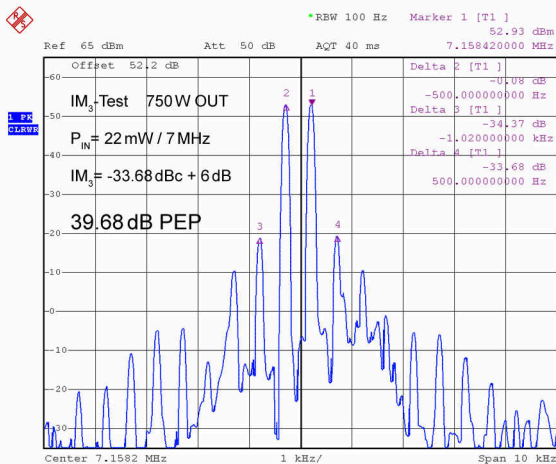
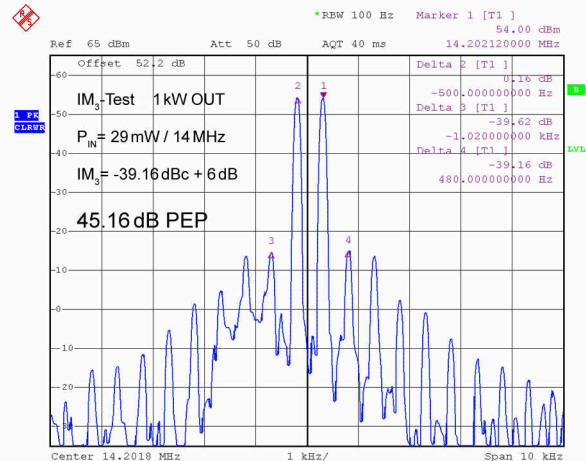
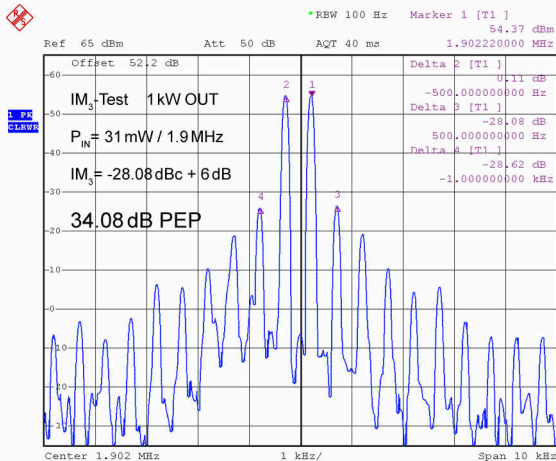
Technical specs subject to change without notice



HPA-8000B-54 BLOCK-DIAGRAM



HPA-8000B-54 IM₃-Test typ. Measurements



Hilberling GmbH
 Heinrich-Hertz-Straße 2
 24790 Schacht-Audorf
 GERMANY

Fon +49 (0) 4331 20171-0
 Fax +49 (0) 4331 20171-10
 info@hilberling.de

www.hilberling.de
 www.hilberling-usa.com